

SMW Feedhorns, Depolarizers, Quarterwave transformer, Waveguide & Adapters



Our products have a good matching, low losses and allow the LNB or OMT to work under optimal conditions for best possible performance. Following standard models are available:

- Offset feedhorn XM-601 / XM-611

23 mm (40 mm with adapter) standard offset feedhorn.

- Offset feedhorn XM-351 / XM-351 L

Two offset models for reception of narrow feed, e.g. 3° apart.

- Prime focus feedhorn XM-140

A Prime focus feedhorn with a diameter of 58 mm and circular output.

- Depolarizer RHC/LHC & Waveguide

The Depolarizer converts the circular polarization to linear. For optimal cross polarization (isolation) we recommend to use it together with an OMT.

- Quarterwave transformer

To adapt from circular (output) waveguide C120 to rectangular (input) WR75.

- Adapter C120/C120

On the market there are many different hole patterns for C120. This adapter is the solution if you don't have the right matching.

Swedish Microwave was founded 1986 and, within Europe, is the oldest manufacturer of LNBs. In the standard product range we have DRO-LNBs, PLL-LNBs, LNAs, Block Downconverters (BDC), Up- & Down Converters, Quattro LNBs, Twin LNBs, Ortho mode transducers (OMT), Line Amplifiers and Feed horns.

Swedish Microwave is today one of the leading manufacturers of microwave components needed for satellite receiving equipment and other industrial products.

Specification Feedhorns, Depolarizers, Quarterwave transformer, Waveguide & Adapter C120/C120

Feedhorn	XM-601 / XM-611 Offset	XM-351 / XM-351 L Offset	XM-140 Prime focus
Frequency range	10.7 - 12.75 GHz	10.7 - 12.75 GHz	10.7 - 12.75 GHz
VSWR	1.25:1 max	1.25:1 max	1.25:1 max
f/D	0.45 - 0.65	0.45 - 0.65	0.3 - 0.45
Waveguide	Circular 18 mm (XM-601)/ Rectangular WR75 (XM-611)	Circular 18 mm Rectangular WR75*	Circular 20 mm Rectangular WR75*
Mounting (neck)	23 mm	23 mm	58 mm (neck 23 mm, 18 mm width)
Material	Diecast aluminium	Aluminium	Aluminium
Finish	Cromated + powder coat	Natural anodized	Black anodized
Weight	85 g	90 g / 71 g	140 g
Option	Integrated depolarizer	-	Integrated depolarizer
Accessories	23/ 40 mm adapter	23/ 40 mm adapter	

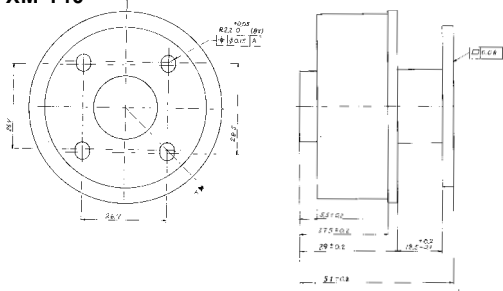
* Together with a Quarterwave transformer

SMW	Depolarizer	Adapter C120/120	Quarterwave transformer
Frequency range	10.7 - 12.75 GHz	10.7 - 12.75 GHz	10.7 - 12.75 GHz
Polarization	LHC (D-12 LHC) RHC (D-12 RHC)	-	Linear
VSWR	1.25:1 max (D-12)	-	1.2:1 max
Transmission loss	0.1 dB max (D-12)	-	-
Cross polar rejection	20 dB typ	-	-
Waveguide	Circular 18 mm	Circular 18 mm	Circular 18 mm/Rectangular WR75
Material	Aluminium	Aluminium	Aluminium
Finish	Hard anodized	Natural anodized	Natural anodized
Weight	90 g	45 g	45 g

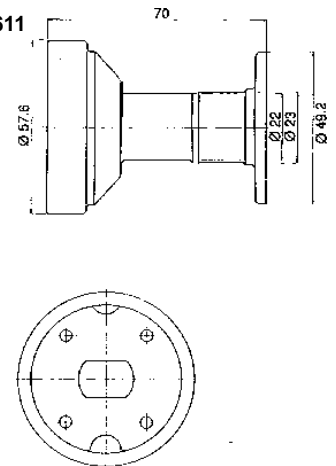
SMW	Waveguide
Frequency range	10.7 - 12.75 GHz
Waveguide	Circular 18 mm
Material	Aluminium
Finish	Hard anodized
Weight	90 g

Accessories 23/ 40 mm adapter
Waveguide isolator

XM-140



XM-601 / XM-611



SMW
SWEDISH MICROWAVE AB