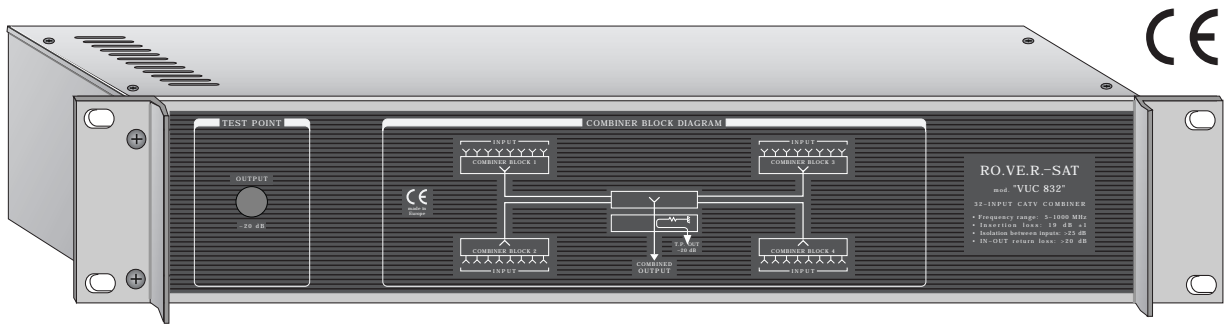


mod. "VUC 832"

PROFESSIONAL 32-INPUT CATV COMBINER

- | ALL BANDS UP TO 1000 MHz
- | EXCELLENT ISOLATION BETWEEN INPUTS
- | INSERTION LOSS 19 dB \pm 1
- | IN-OUT RETURN LOSS: >20 dB



TECHNICAL SPECIFICATIONS

COMBINER BLOCK

- Operating frequency range:
5-1000 MHz
- Insertion loss:
19 dB \pm 1
- Isolation between inputs:
>25 dB
- IN/OUT return loss:
>20 dB

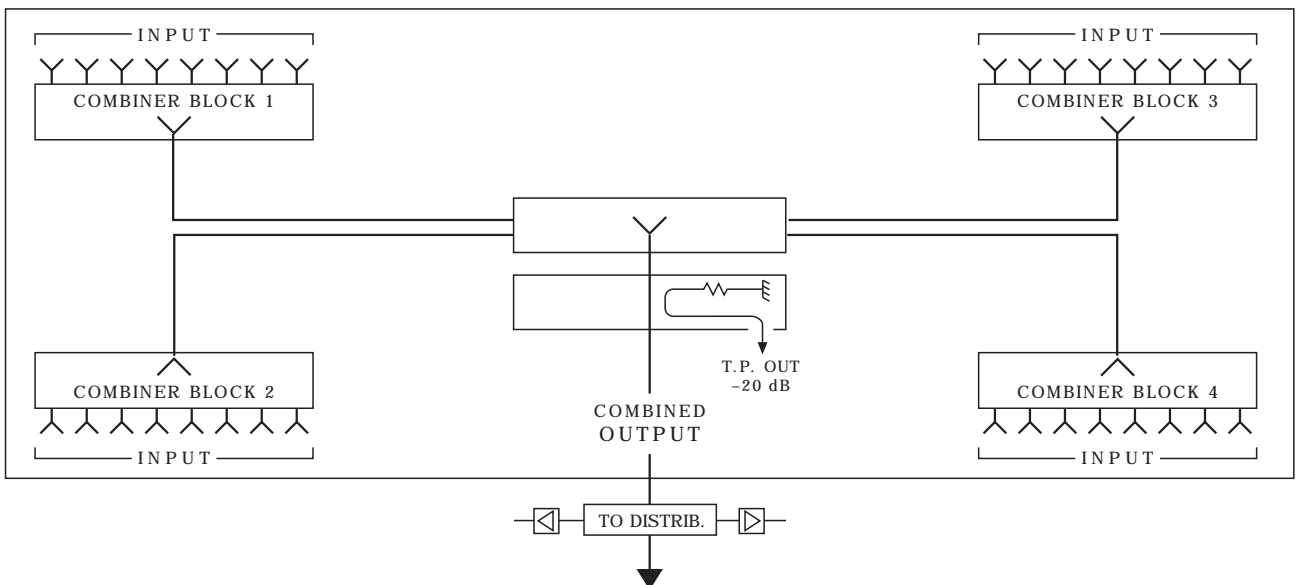
- Test point output:
-20 dB
- Total combiner flatness:
 \pm 1.5 dB

OTHERS

- Connectors:
"F" type
- Operating temperature:
-25/+60°C

- Shielding factor:
70 dB (80 dB typ.)
- Relative humidity:
90%
- Dimensions:
(2 rack units)
520 x 210 x 80 mm
- Weight:
3,2 Kg

BLOCK DIAGRAM

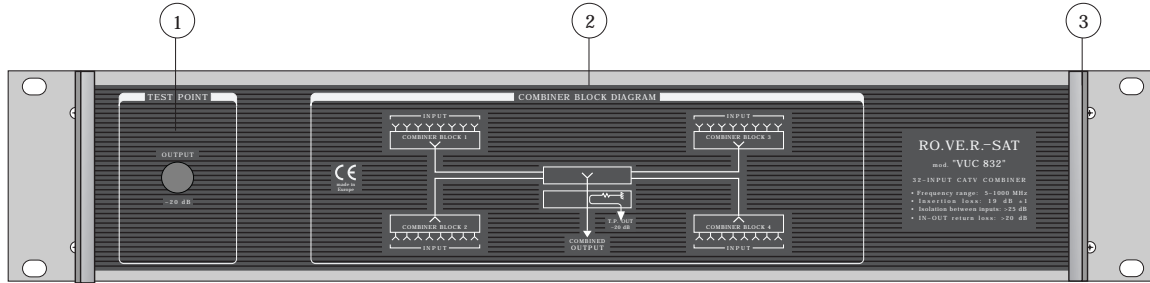


32-ADJACENT CHANNELS CATV HEAD-END

mod. "VUC 832"

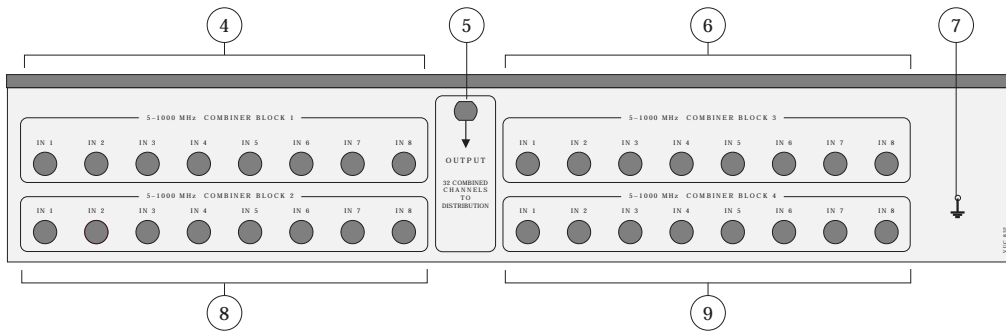
PROFESSIONAL 32-INPUT CATV COMBINER

FRONT PANEL DESCRIPTION



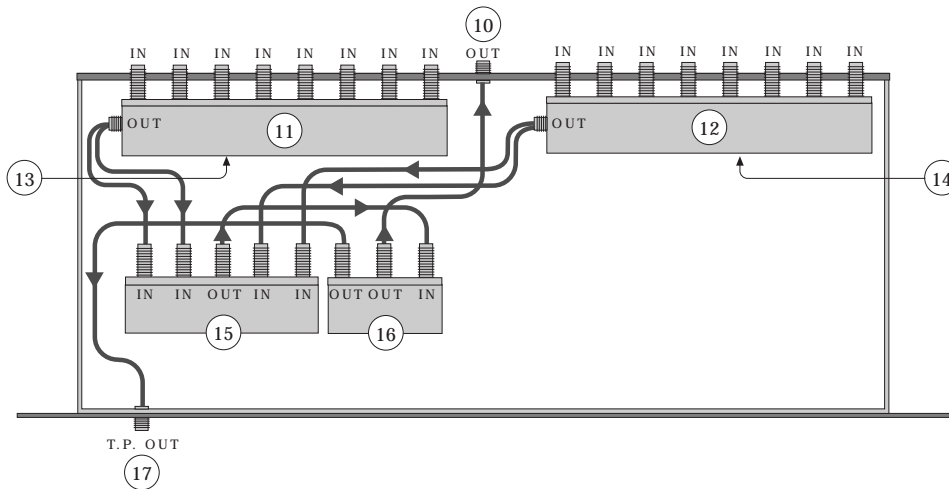
- | | |
|---|---|
| 1 Test point output ("F" connector)
-20 dB | 2 Combiner block diagram
3 19" rack handle |
|---|---|

BACK PANEL DESCRIPTION



- | | |
|--|--|
| 4 Combiner block 1, RF inputs (x8) ("F" conn.) | 7 Ground screw |
| 5 RF output ("F" connector) | 8 Combiner block 2, RF inputs (x8) ("F" conn.) |
| 6 Combiner block 3, RF inputs (x8) ("F" conn.) | 9 Combiner block 4, RF inputs (x8) ("F" conn.) |

INSIDE VIEW



- | | |
|--|---|
| 10 RF output ("F" connector) | 14 Combiner block 4 (8 RF inputs-1 output) |
| 11 Combiner block 3 (8 RF inputs-1 output) | 15 Combiner (4 inputs-1 output) |
| 12 Combiner block 1 (8 RF inputs-1 output) | 16 2-way tap |
| 13 Combiner block 4 (8 RF inputs-1 output) | 17 Test point output ("F" connector) -20 dB |