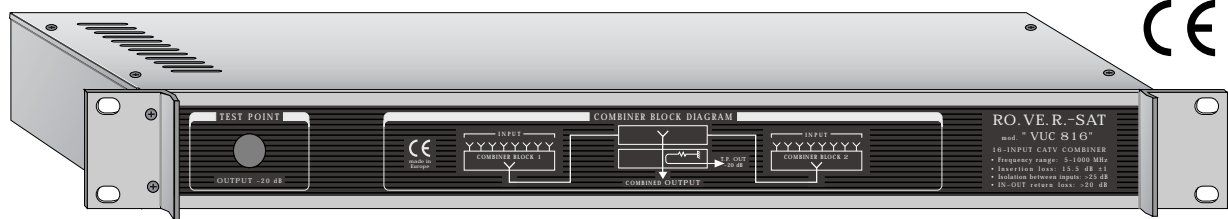


**mod. " VUC 816 "**

**PROFESSIONAL 16-INPUT CATV COMBINER**

- ALL BANDS UP TO 1000 MHz
- EXCELLENT ISOLATION BETWEEN INPUTS
- INSERTION LOSS 15.5 dB ± 1
- IN-OUT RETURN LOSS: >20 dB



**TECHNICAL SPECIFICATIONS**

**COMBINER BLOCK**

- Operating frequency range:  
5-1000 MHz
- Insertion loss:  
15.5 dB ± 1
- Isolation between inputs:  
>25 dB
- IN/OUT return loss:  
>20 dB

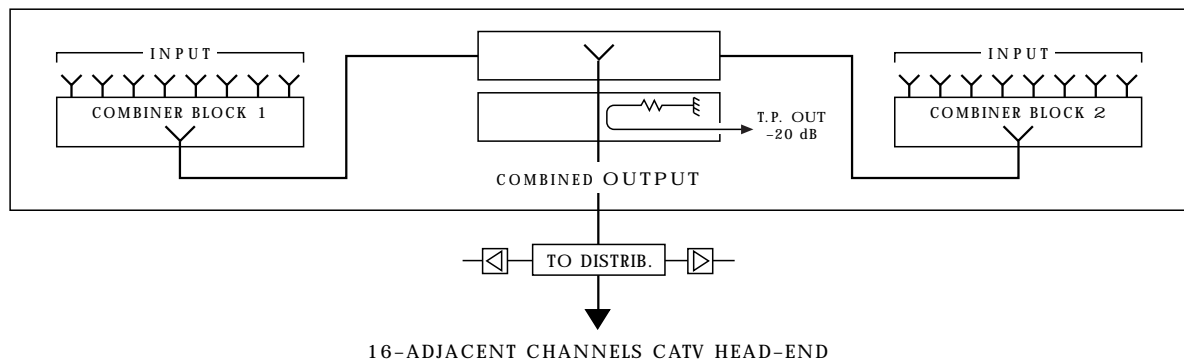
- Test point output:  
-20 dB
- Total combiner flatness:  
±1.5 dB

**OTHERS**

- Connectors:  
"F" type
- Operating temperature:  
-25/+60°C

- Shielding factor:  
70 dB (80 dB typ.)
- Relative humidity:  
90%
- Dimensions:  
(1 rack unit)  
520 x 210 x 45 mm
- Weight:  
1.9 Kg

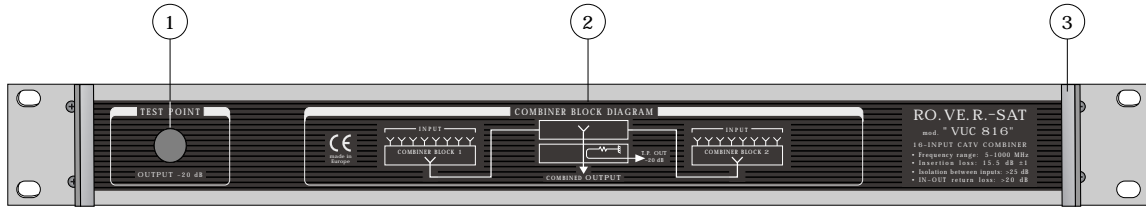
**BLOCK DIAGRAM**



mod. " VUC 816 "

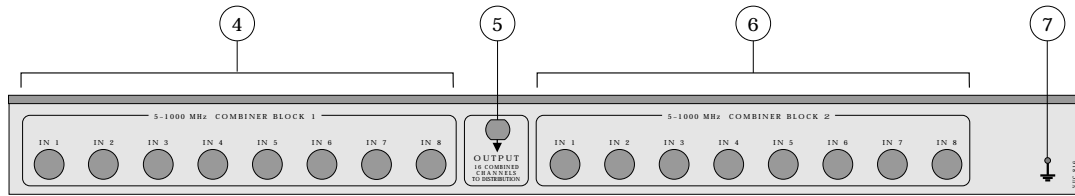
PROFESSIONAL 16-INPUT CATV COMBINER

FRONT PANEL DESCRIPTION



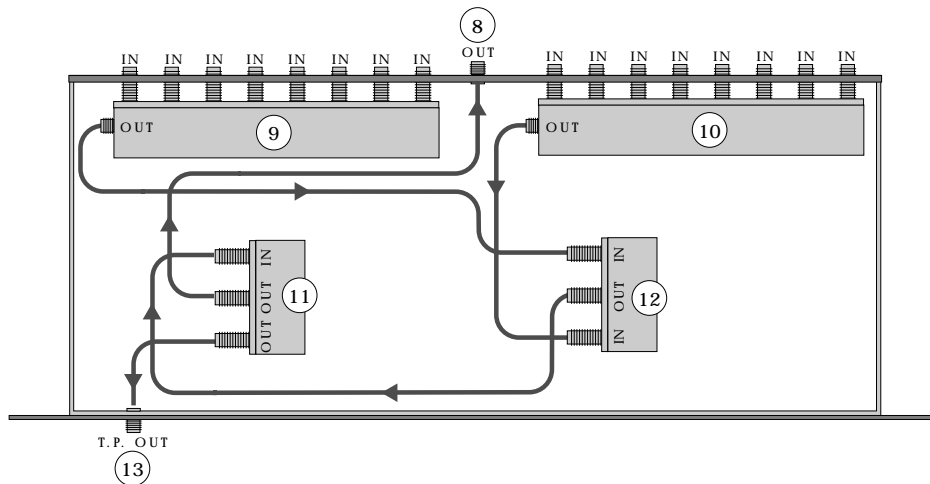
- 1 Test point output ("F" connector) -20 dB
- 2 Combiner block diagram
- 3 19" rack handle

BACK PANEL DESCRIPTION



- 4 Combiner block 1, RF inputs (x8) ("F" connectors)
- 5 RF output ("F" connector)
- 6 Combiner block 2, RF inputs (x 8) ("F" connectors)
- 7 Ground screw

INSIDE VIEW



- 8 RF output ("F" connector)
- 9 Combiner block 2 (8 inputs-1 output)
- 10 Combiner block 1 (8 inputs-1 output)
- 11 2-way tap
- 12 Combiner (2 inputs-1 output)
- 13 Test point output ("F" connector) -20 dB