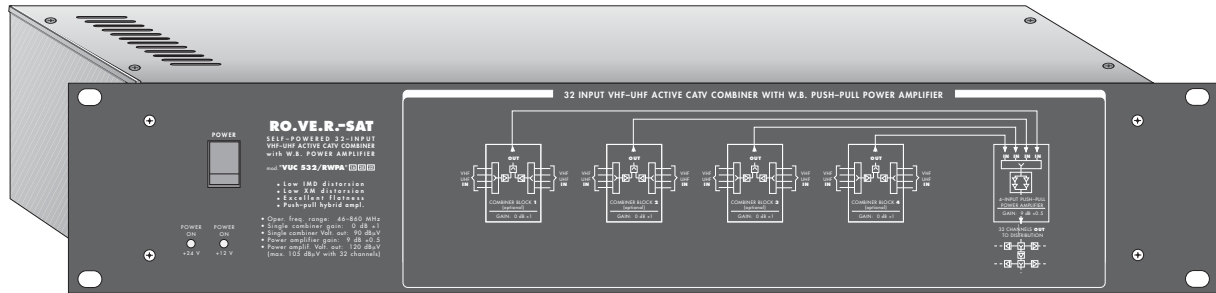


mod. "VUC 532/RWPA"

SELF-POWERED 32-INPUT VHF-UHF ACTIVE CATV COMBINER with WIDE BAND POWER AMPLIFIER

- ALL BAND UP TO 870 MHz
- CAN BE DRIVEN WITH ONLY 90 dB μ V INPUT SIGNAL LEVEL
- EXCELLENT ISOLATION BETWEEN INPUTS
- 16, 24 OR 32 INPUTS ON REQUEST
- EXCELLENT FLATNESS
- LOW IMD & XM DISTORSION
- PUSH-PULL HYBRID AMPLIFIER



TECHNICAL SPECIFICATIONS

COMBINER BLOCK

- **Operating freq. range:** 25-870 MHz
- **Single combiner gain:** 0 dB \pm 1
- **Single combiner V. out:** 90 dB μ V (with 8 channels)
- **Single combiner flatness:** \pm 1 dB
- **Noise figure:** 12 dB
- **Carrier/Noise ratio:** 65 dB (with 90 dB μ V input)
- **IN/OUT Return Loss:** >12 dB (14 tip.)

W.B. POWER AMPLIFIER

- **Operation freq. range:** 46-870 MHz
- **4 input:** 75 Ω
- **Total gain:** 9 dB \pm 1 dB
- **Noise figure:** 13 dB \pm 1
- **Output level (DIN 45004B):** 120 dB μ V (at -60 dB IMD)
- **Output level (NCTA):** 104.5 dB μ V (with 77 ch.)
- **IMD 2nd order (2f.NCTA):** 70 dBc (at 101 dB μ V out)
- **XM:** 65 dBc (at 101 dB μ V out)
- **CSO:** 68 dBc (at 101 dB μ V out)
- **CTB:** 62 dBc (at 101 dB μ V out with 77 channels)

OTHERS

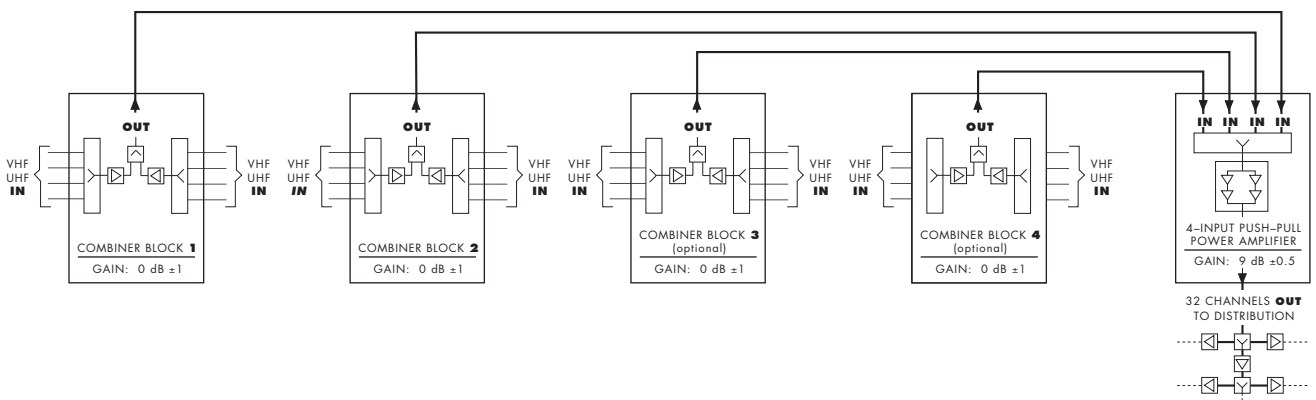
- **Power:** 230 Vac or 110 Vac
- **RF connector:** "F" type
- **Operating temp.:** -25/+60°C
- **Relative humidity: 90%**
- **Shielding factor:** 70 dB (80 tip.)
- **Dimensions:** (2 rack units) 520 x 230 x 88 mm
- **Weight: 3,1 Kg** (with ext. P.S. +12 Vdc)

OPTIONAL

- Supplied with 16 inputs. 24 or 32 inputs supplied on request.

12

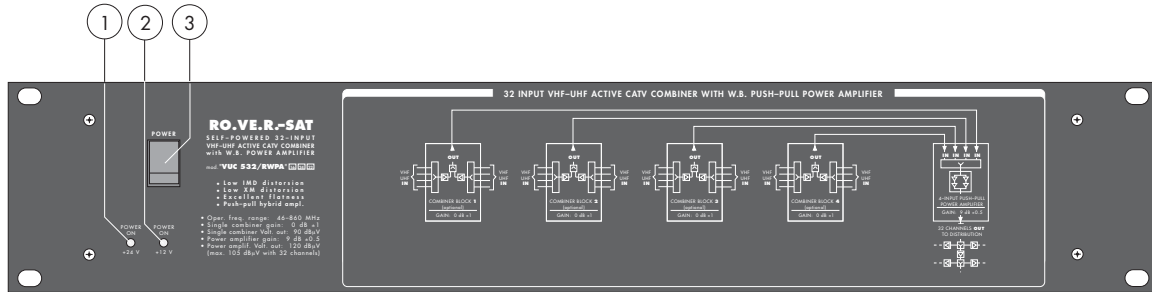
BLOCK DIAGRAM



mod. "VUC 532/RWPA"

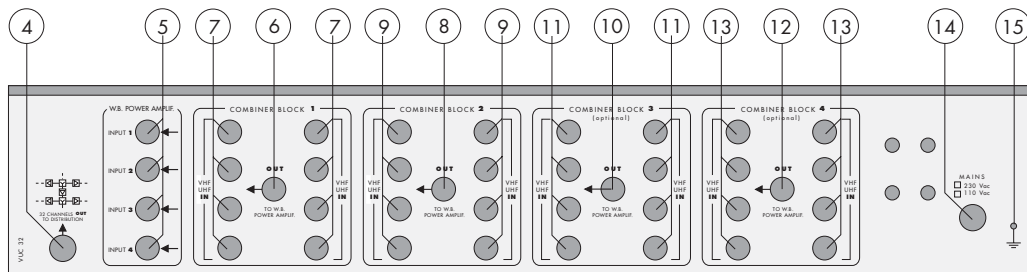
SELF-POWERED 32-INPUT VHF-UHF ACTIVE CATV COMBINER with WIDE BAND POWER AMPLIFIER

FRONT PANEL DESCRIPTION



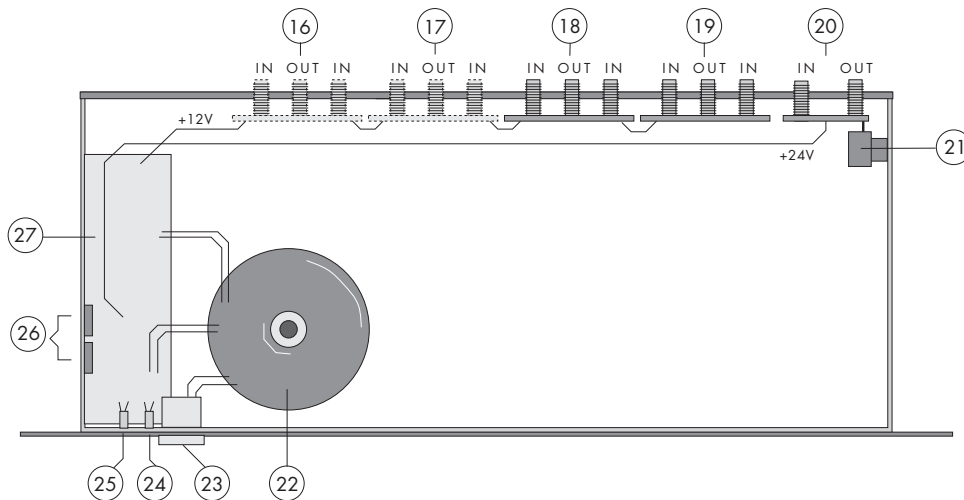
- 1 Power on +24 Volt (LED)
- 2 Power on +12 Volt (LED)
- 3 Power on/off (switch)

BACK PANEL DESCRIPTION



- 4 Power amplifier output to distrib. ("F" con.)
- 5 Power amplifier inputs (x4) ("F" connector)
- 6 Combiner block 1 RF output ("F" connector)
- 7 Combiner block 1 RF inputs (x8) ("F" conn.)
- 8 Combiner block 2 RF output ("F" connector)
- 9 Combiner block 2 RF inputs (x8) ("F" conn.)
- 10 Combiner block 3 RF output ("F" connector)
- 11 Combiner block 3 RF inputs (x8) ("F" conn.)
- 12 Combiner block 4 RF output ("F" connector)
- 13 Combiner block 4 RF inputs (x8) ("F" conn.)
- 14 Mains, 220 or 110 Vac (label)
- 15 Ground screw

INSIDE VIEW



- 16 Combiner block 4 optional (board)
- 17 Combiner block 3 optional (board)
- 18 Combiner block 2 (board)
- 19 Combiner block 1 (board)
- 20 Power Amplifier (board)
- 21 Final Power Amplif. (Philips CATV module)
- 22 Transformer
- 23 Power on/off (switch)
- 24 Power on +12 Volt (LED)
- 25 Power on +24 Volt (LED)
- 26 Voltage regulators
- 27 Power supply board